

## OBV Safety Catch

Fitting Instructions



**1**  
General Information

---

---

1 General Information

**2**  
Location

---

---

2 Location

**3**  
Fitting

---

---

3 Fitting

**4**  
Remedial  
Adjustments

---

---

4 Remedial Adjustments

**5**  
Product Part  
Numbers

---

---

5 Product Part Numbers

---

---

# 1 General Information

## OBV Safety Catch

- Automatically restricts window opening regardless of sequence of operation
- Prevents window from slamming shut
- Optimum child security
- The OBV locking bar can be released for full opening of the sash by keeping the push button depressed.
- Automatic locking; when the window is closed from the turn position the limit opening function re-engages
- Restricts the opening distance in the turn position to approx. 50mm if mounted on the lock side, when mounted horizontally variable opening distances can be achieved
- Ease of fitting due to vertically adjustable frame sections
- Maintenance friendly as frame section can be adjusted within a range of +3mm

1

General Information

2

Location

3

Fitting

4

Remedial  
Adjustments

5

Product Part  
Numbers

# 1

General Information

## 2 Location

Firstly establish the correct position, to achieve no more than 100mm of opening. This position will normally be on the opposite side of the hinges, and near to, but not hindering the operating handle.

# 2

Location

The safety catch on a side hung casement or tilt & turn window should be vertical with the button upper most, where as on a top hung casement it will be horizontally mounted on the bottom.

On casement windows the main body of the safety catch is located on the outer frame upstand, where as on the tilt & turn it is on the opening sash up stand.

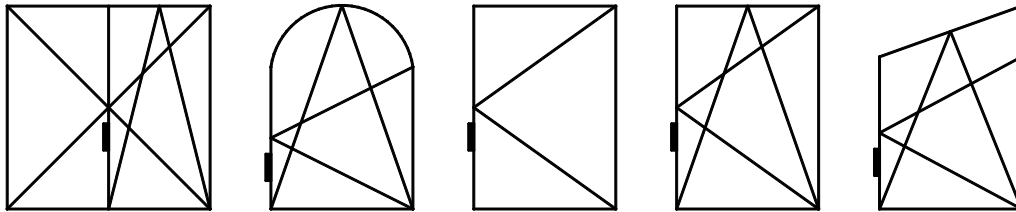
See [diagram 1 for illustrations](#)

# 3

Fitting

# 4

Remedial Adjustments



**Diagram 1: Recommended positioning of Safety Catch**

# 5

Product Part Numbers

### 3 Fitting

Fit the safety catch body first by pre-drilling using either the factory fix jig, if fitting during production of the window, or by using the site fix jig, if fitting with the window in-situ.

Factory Fix Part Number: 2839571 / Site Fix Part Number: 2833559

On windows where the mounting face of the up stand is not square an angled packer will be required.

After positioning the jig, drill the five holes (or seven if using certain angled packers) and fit both parts using the appropriate screws. Check by closing the window and ensuring that the hook automatically engages and disengages using the release button.

Please refer to diagrams 2 - 4 for jig positioning.

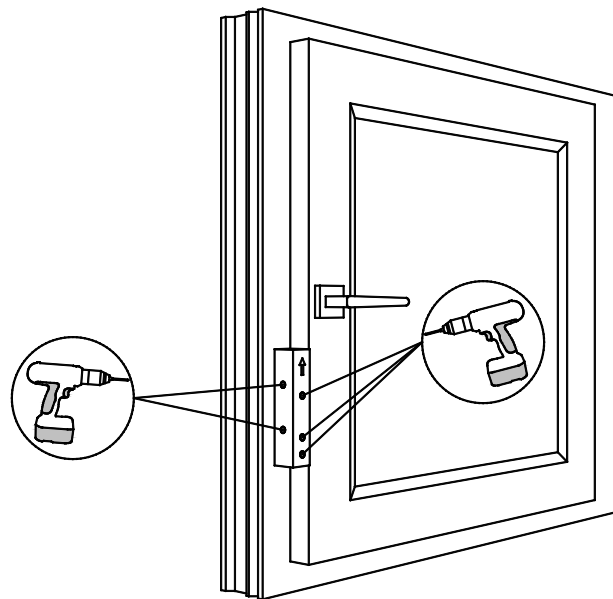


Diagram 2: Factory Fix Jig

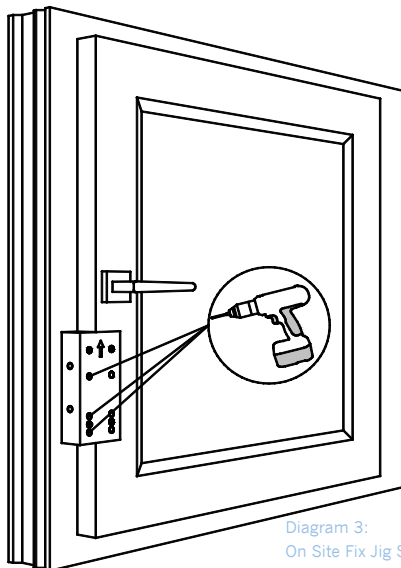


Diagram 3:  
On Site Fix Jig Stage 1

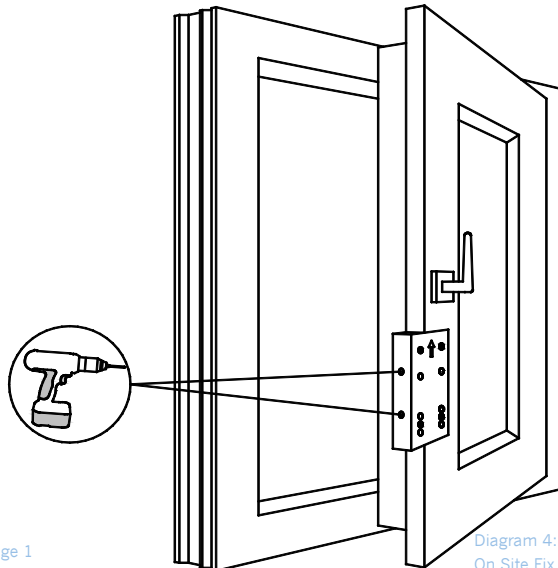


Diagram 4:  
On Site Fix Jig Stage 2

1

General Information

2

Location

3

Fitting

4

Remedial  
Adjustments

5

Product Part  
Numbers

1

General Information

2

Location

3

Fitting

4

Remdial  
Adjustments

5

Product Part  
Numbers

## 4 Remedial Adjustments

Due to the window settling/sagging during their life span or the differing arcs of hinges it maybe necessary for a subsequent adjustment to be made. This can be achieved by releasing the hook base plate fixing screws and moving the plate to align the upper most edge in alignment to the mark on the Saefty Catch body. Finally retighten the hook base plate fixing screws.